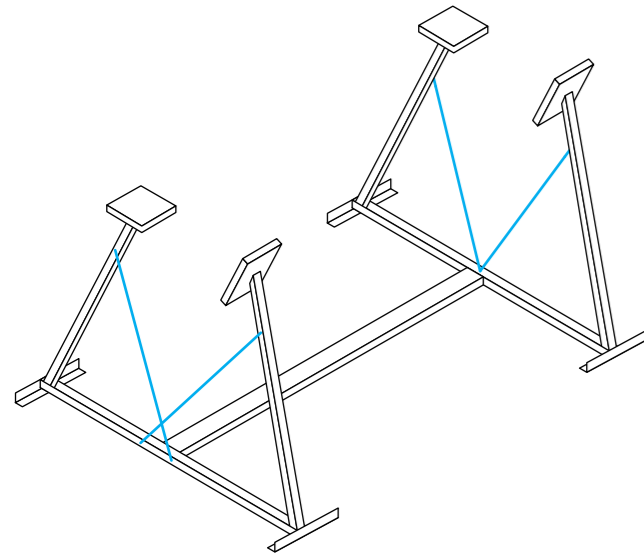


UNDER COVER CRADLE

A simple design, offering safe and convenient stacking for indoor winter storage.

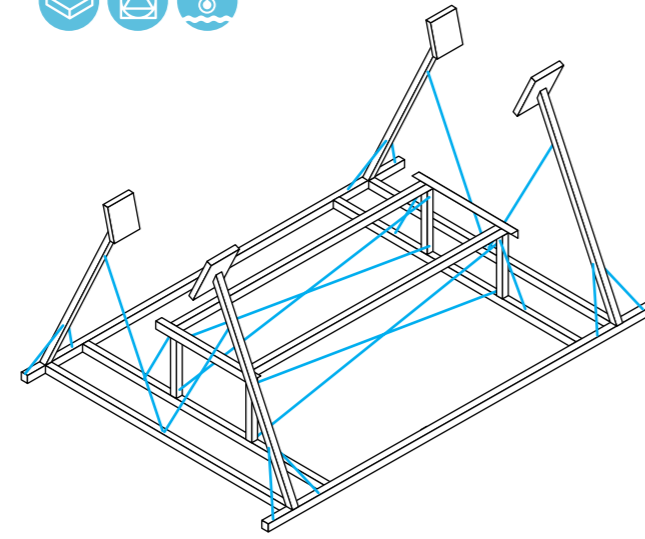
- Can be used in conjunction with most yacht movers.
- Design allows for chain restraints to be fitted between the front and rear pair of legs if required.



DROP KEEL CRADLE

Our unique Drop Keel Trestle which provides secure support for difficult to lay-up yachts.

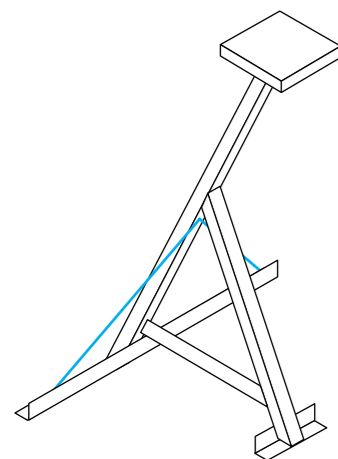
- Custom made to each yacht.
- Centre support size can be made to suit the 'landing area', allowing the bulk of the weight to be securely supported.
- Can be based on our Craft-E, Super-A, Craft-T, Arran or Fixed Base Cradles, to offer flexibility, e.g. dropping the keel for maintenance, while the boat is stored on land.



PROP STANDS

Motor Boat Supports

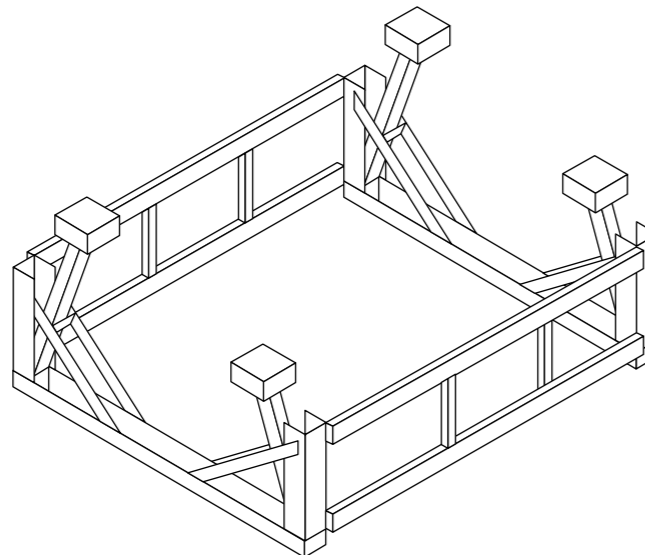
- Small Prop is adjustable in height from 680mm - 1150mm.
- Large Prop is adjustable in height from 1060mm - 1800mm.
- Extra Large Prop is adjustable in height from 1350mm - 2100mm.



SHIPPING CRADLES

Our Shipping Cradles come in 3 sizes

- Small for powerboats up to 32ft.
- Medium for powerboats up to 45ft.
- Large for powerboats of any size.



FURTHER INFORMATION

Tennamast supplies yacht cradles to the UK and Europe. Our customers include marinas, boat yards, commercial and private charter groups, as well as private boat owners.

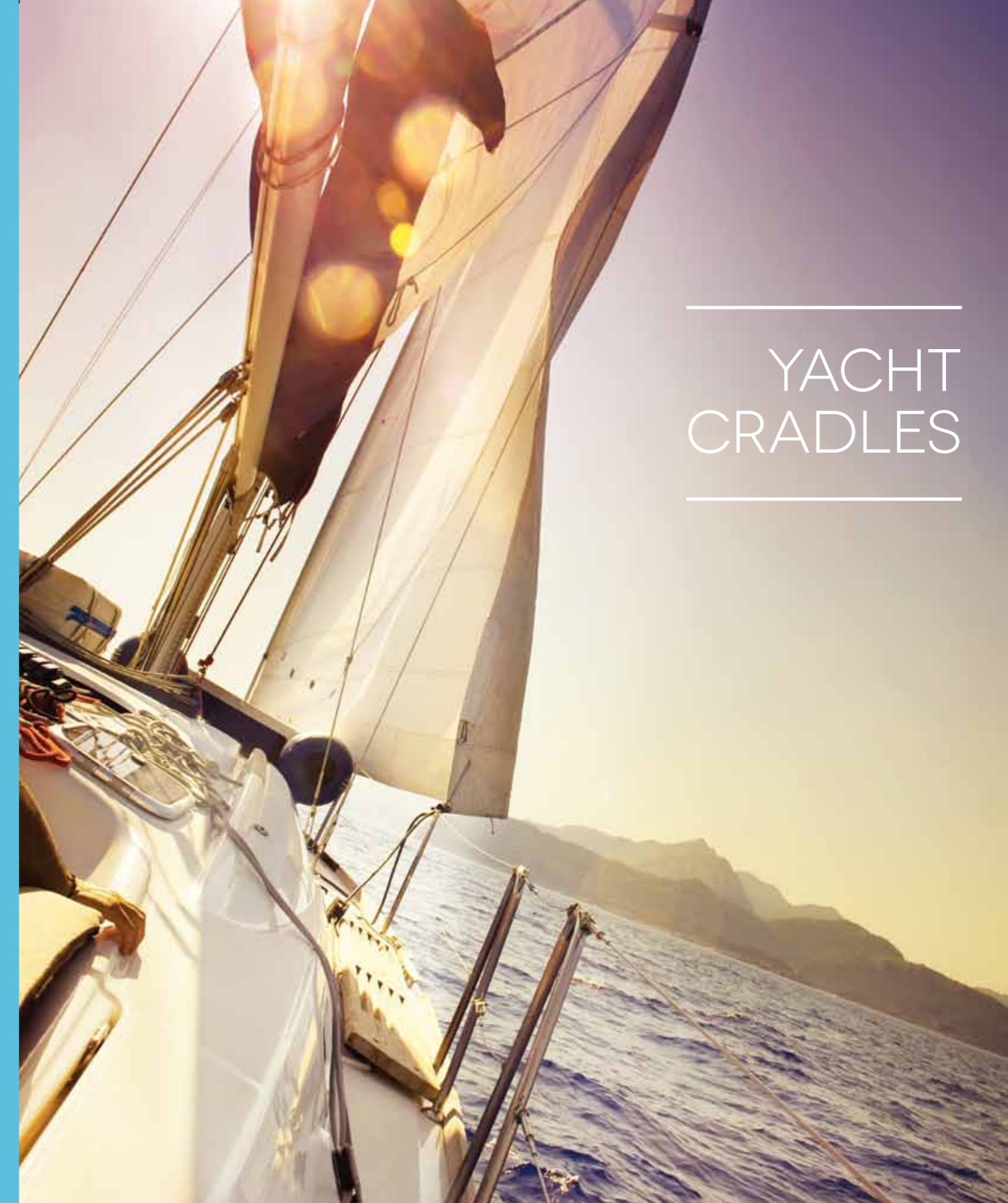
To see our full range of products and services please visit www.tennamast.com. To discuss your requirements with a member of our Customer Service Team, please call **01505 503824**.

VOLUME DISCOUNTS

Special packages are available to customers ordering multiple cradles, including distributors and marinas. To find out more and to discuss your requirements, please contact our Customer Service Team on **01505 503824**.

THE TENNAMAST GUARANTEE

Every Tennamast product is fully tested before leaving our premises. However, if you are not completely satisfied with your cradle, we promise to replace it completely free of charge to demonstrate our commitment to both quality and customer service. We are the only yacht cradle manufacturer in the UK to offer a guarantee of this kind.



YACHT CRADLES

TENNAMAST (SCOTLAND) LTD

81 Mains Road, Beith, North Ayrshire, Scotland KA15 2HT
Tel +44(0)1505 503824 / Fax +44(0)1505 503246 / Email sales@tennamast.com
www.tennamast.com

QUALITY CRADLES FOR EVERY TYPE OF CRAFT





TENNAMAST

Tennamast is the UK's leading manufacturer of yacht cradles. Since creating the award winning modular system over two decades ago, we have continually developed our range of products and now offer the largest selection of cradles in the country. Our designs are recognised throughout the sailing community as being the best on the market for quality, value and functionality.

We understand that cradles are part of the less exciting side of yacht owning, a practical necessity rather than a glamorous accessory. However, when you use a Tennamast cradle, you can have peace of mind that your yacht is completely safe and secure.

Our world class cradles are manufactured by our specialist team of engineers at our base in Scotland. Here we combine expertise with stringent quality control in raw materials and workmanship to produce cradles which offer the highest level of performance and durability. We also

supply bespoke systems to meet the requirements of every craft and can even personalise your cradle if you wish.

Finding the right cradle can be complex, which is why we believe it takes personal service and expert knowledge to help yacht owners make the correct decision. At Tennamast we take time to listen to and discuss your requirements, before advising you on exactly what you need to keep your yacht safe. And with the unique Tennamast Guarantee, you know you've made the best purchase possible.

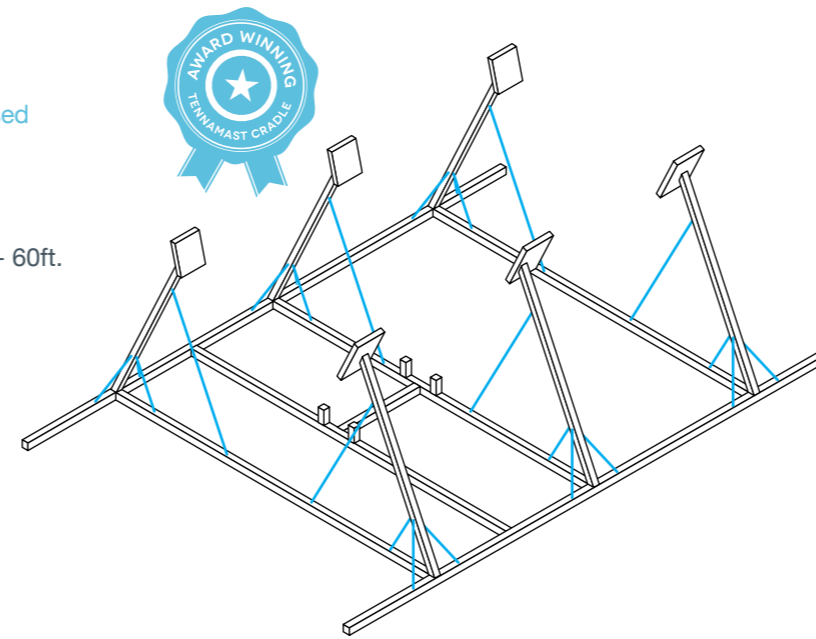


CRAFT-T-CRADLE

Our award winning modular system which revolutionised on-land storage of pleasure craft. With three basic interconnecting parts, it is suitable for all sizes of boat without limitation and is ideal for heavier weight craft.

Available in 4, 6, 8 and 10 support form, for craft 20ft - 60ft.

-  Easily stored/suitable for yard use
-  Portable with hatchback car & roof bars
-  Carpeted hull pads
-  Simple to extend/suitable for upgrade
-  Available in different configurations
-  Hot dip galvanized ISO 1461
-  Adjustable removable keel locks

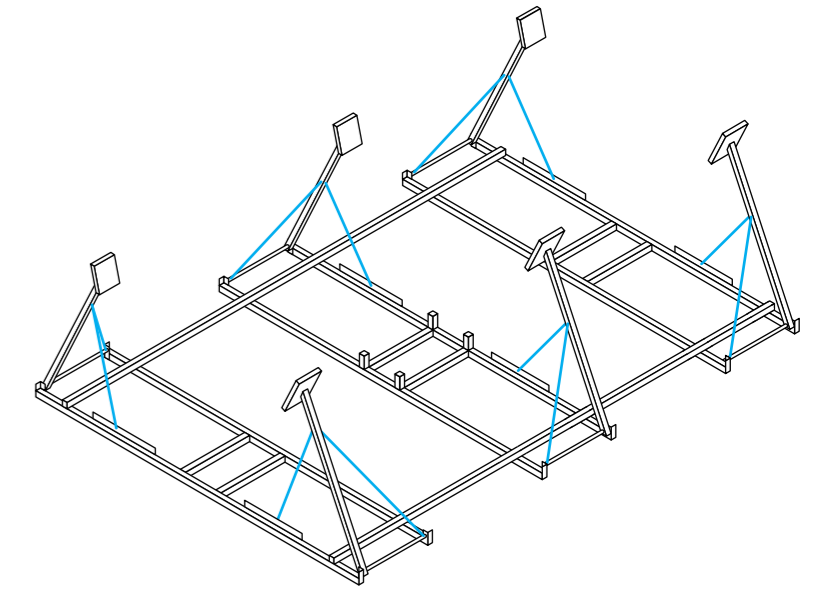


ARRAN CRADLE

A semi fixed base cradle, ideal for those who want a fixed base but with the option of easy transportation by van or trailer. With the very rare feature of adjustable width, this cradle is also a good choice for marinas and is available for almost any length or weight.

Available in 4, 6, 8, 10 & 12 support form, for craft 20ft - 70ft.

- 
- 
- 
- 
- 
- 

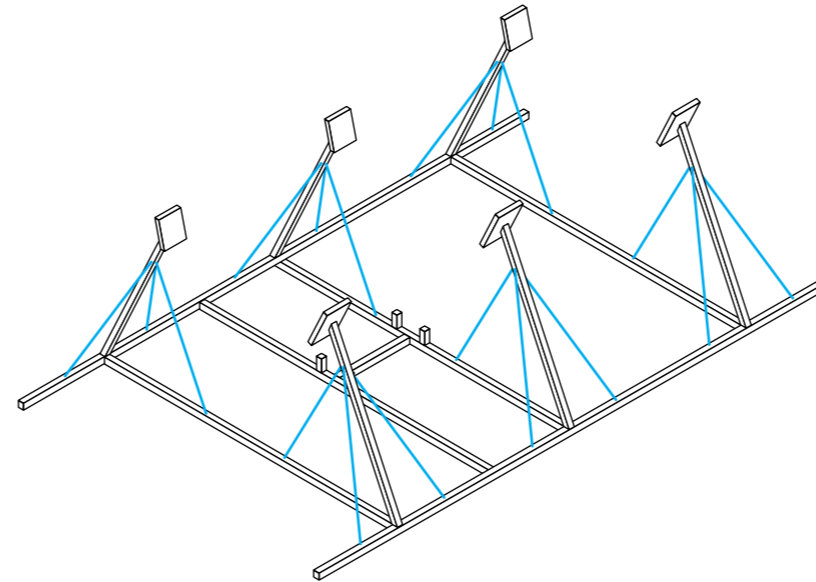


SUPER-A-CRADLE

A highly flexible cradle, offering the ultimate in triangulation, through infinite angular adjustment of the support legs.

Available in 4, 6, 8 and 10 support form, for craft 20ft - 60ft.

- 
- 
- 
- 
- 
- 
- 

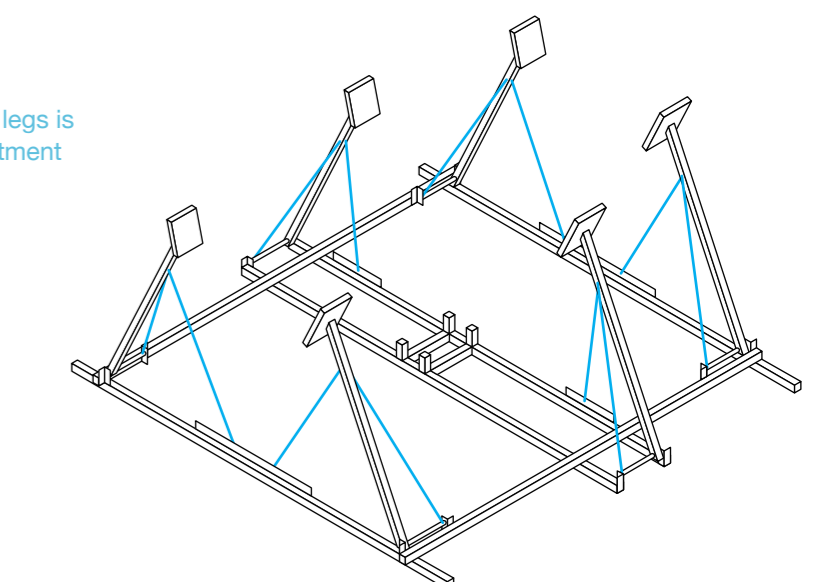


FIXED BASED FOLDING LEG CRADLE RHS

An ideal choice of cradle where fine adjustment of the legs is required. The extending legs with pin and screw adjustment come with swivelling carpeted hull pads.

Available in 3 different sizes, for craft 20ft - 40ft.

- 
- 
- 
- 

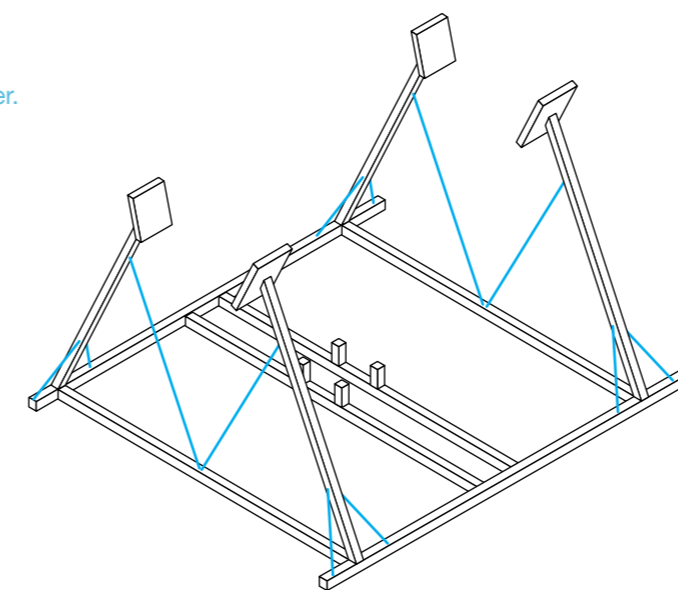


CRAFT-E-CRADLE

Our economy cradle, designed specifically for the small boat owner.

Available in 4 support for craft up to 28ft.

- 
- 
- 
- 
- 
- 



FIXED CRADLE

A conventionally designed cradle which utilises the strength of steel channel section, along with the versatile adjusting screws and hull pads from our range of modular cradles.

- Usually supplied in bare steel, but other finishes are available at extra cost.
- Range of additional options include removable legs, smaller size hull pads, lateral keel locks, square adjustable legs and skid plates.

Available in 4 and 6 support form, for craft 20ft - 45ft.

- 

